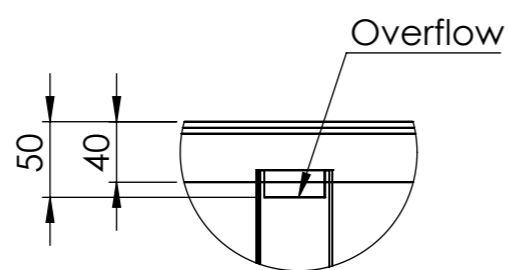
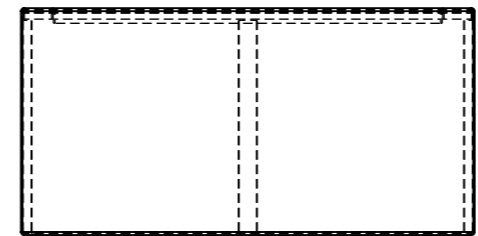
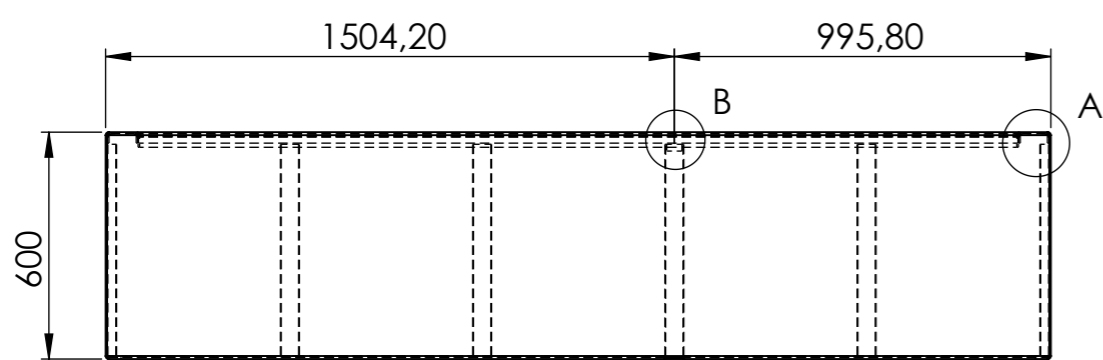
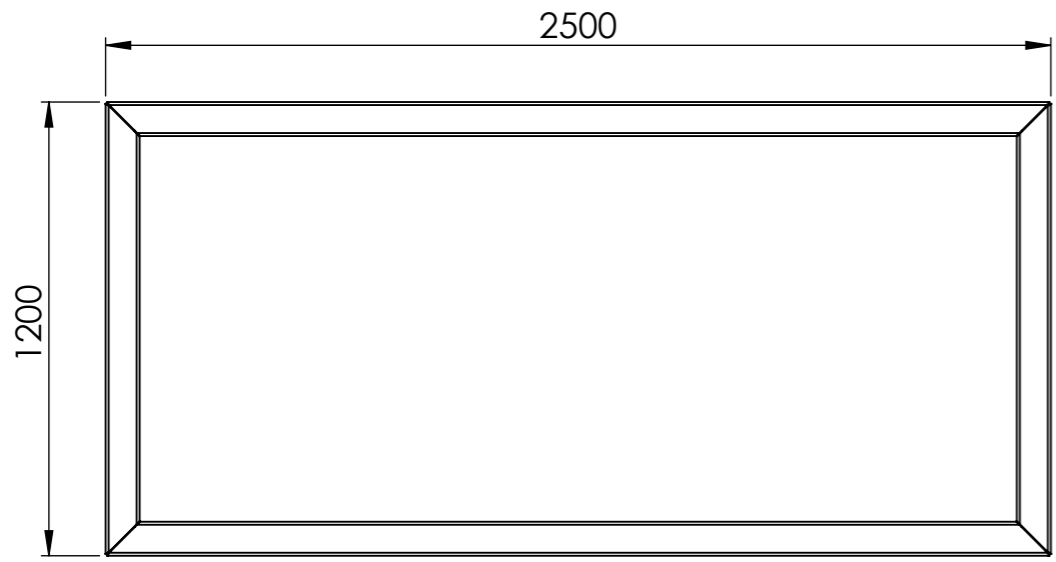
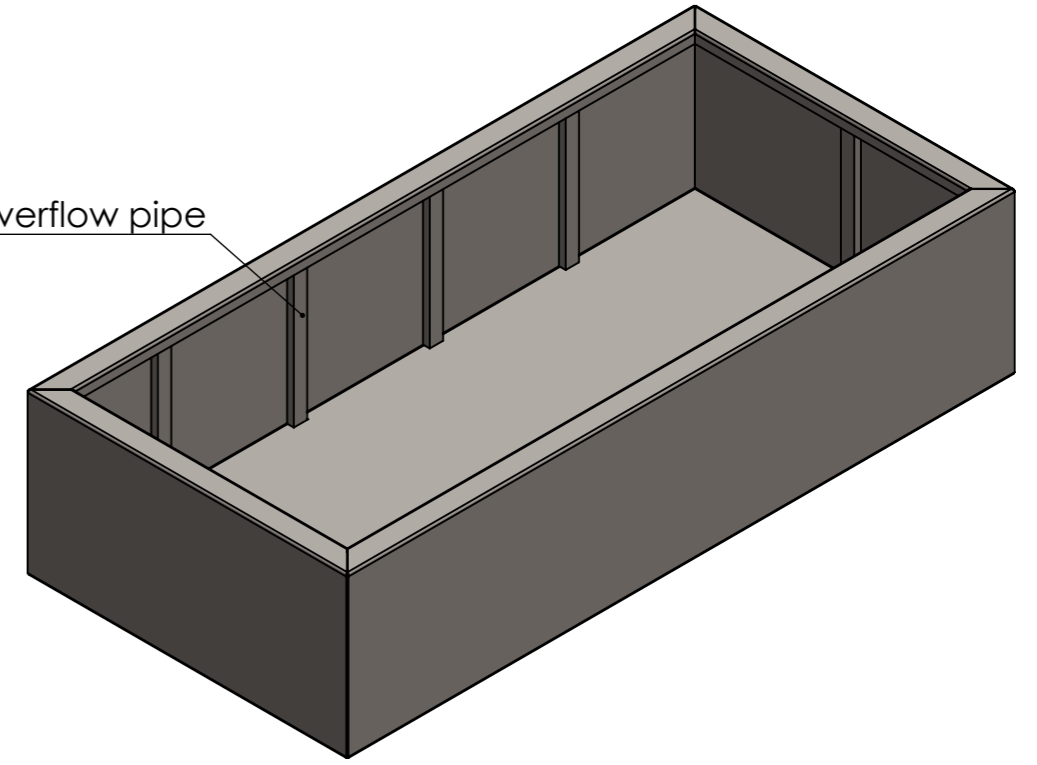


DETAIL A
SCALE 1 : 5



DETAIL B
SCALE 1 : 5

Overflow pipe



		DATE	
DRAWN	Luuk van den Heuvel	15-11-2023	
REVISION			

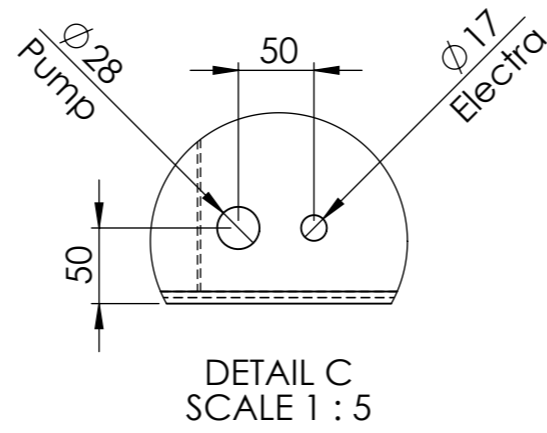
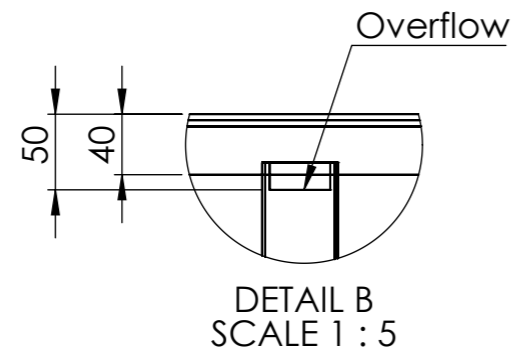
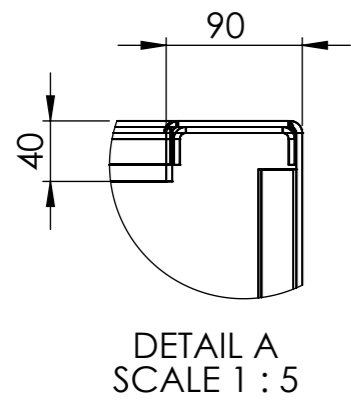
TITLE: 4mm Aluminium

ADEZZ
DESIGN TO GROW

Liessentstraat 4, 5405 AG Uden (NL).
 † 0031 (0)413 - 27 41 68.
 e info@adezz.com, i www.adezz.com

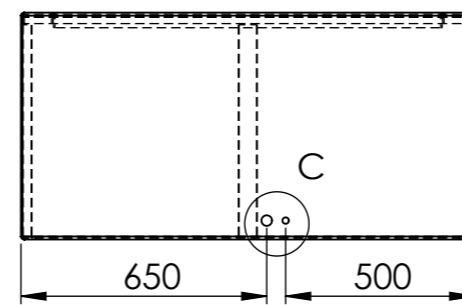
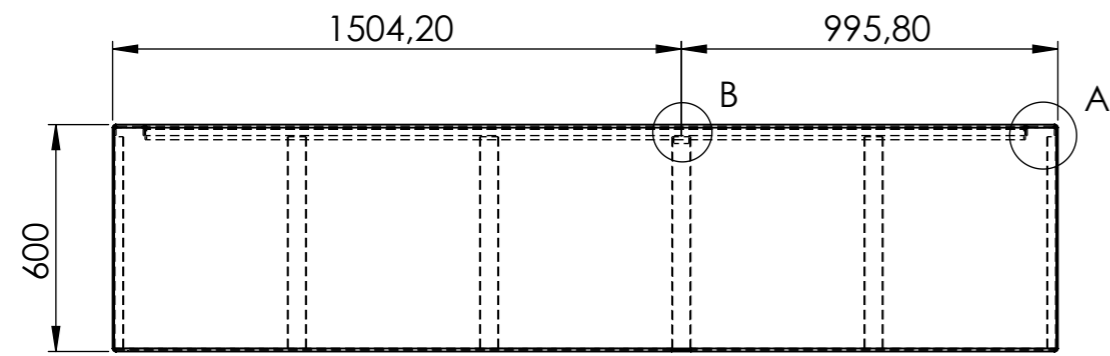
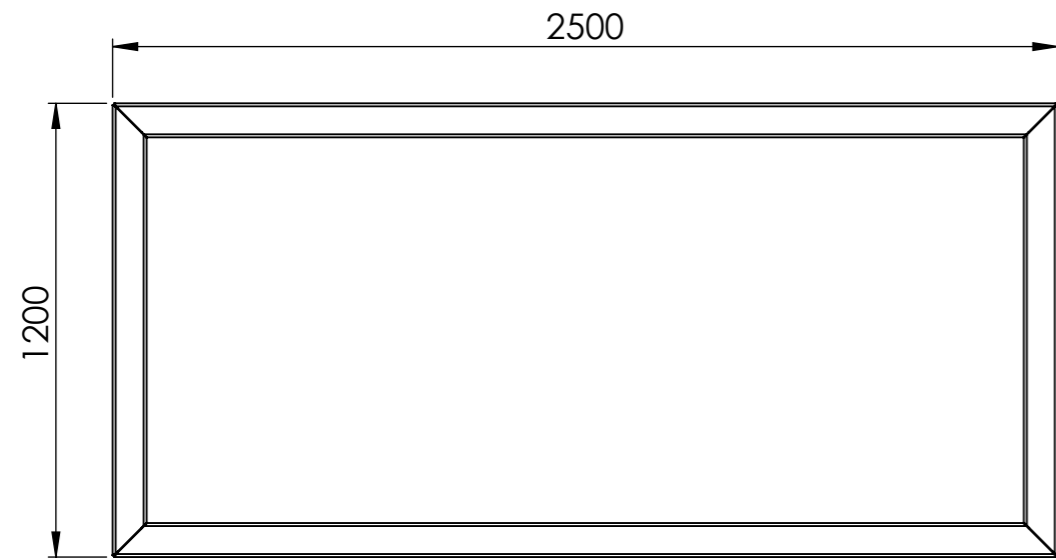
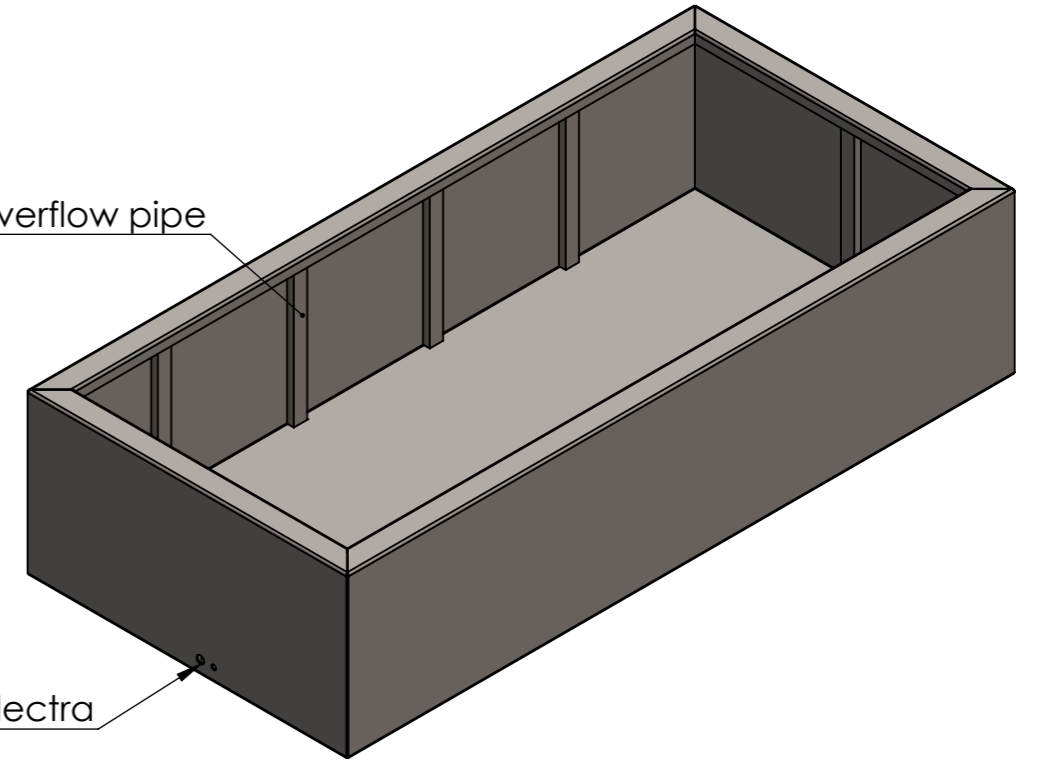
Drawing: VA8_ A3

Color: - Mass (kg): 103.97 SCALE:1:20 SHEET 1 OF 13

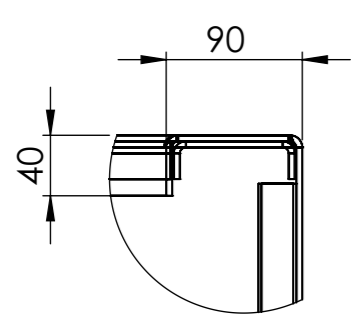


Overflow pipe

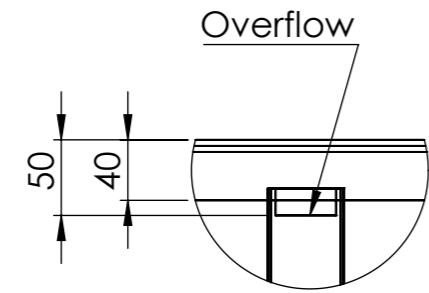
Pump and electra



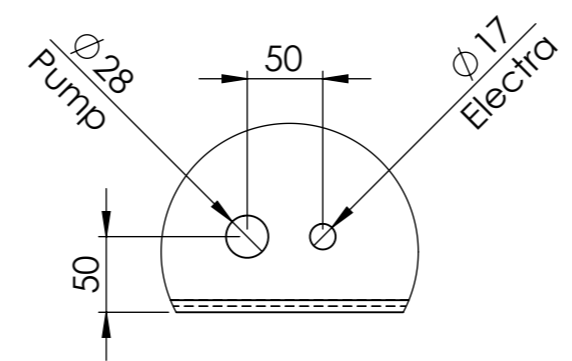
DRAWN	Luuk van den Heuvel	DATE	15-11-2023		TITLE:	4mm Aluminium	
REVISION					Drawing:	VA8_	A3
		Liessentstraat 4, 5405 AG Uden (NL). † 0031 (0)413 - 27 41 68. e info@adezz.com, i www.adezz.com		Color:	-	Mass (kg):	103.94
				SCALE:1:20	SHEET 1 OF 13		



DETAIL A
SCALE 1 : 5

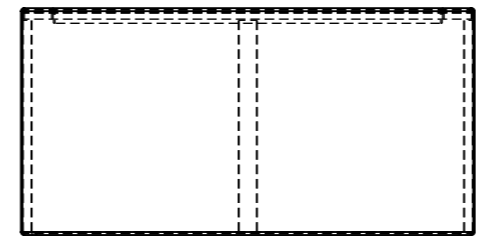
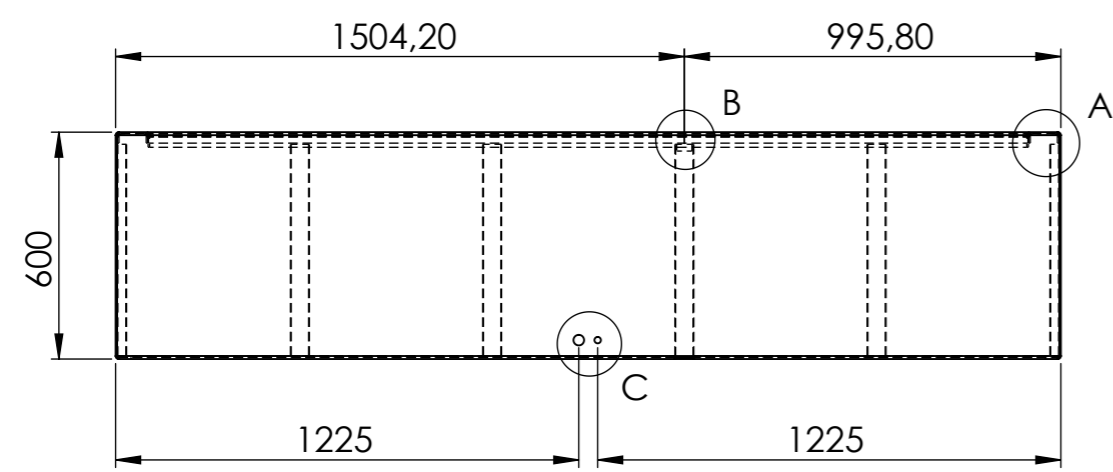
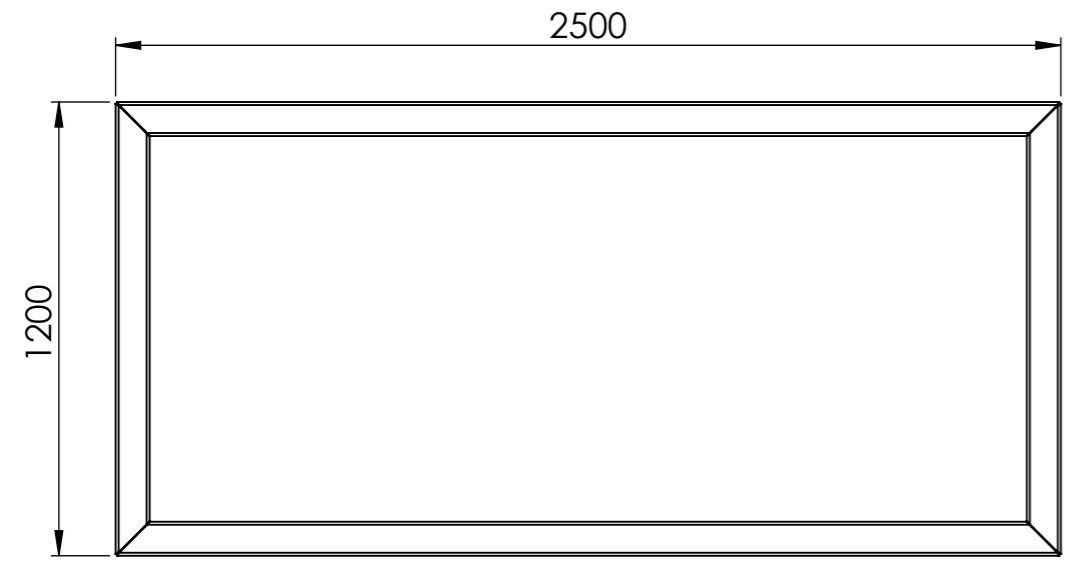
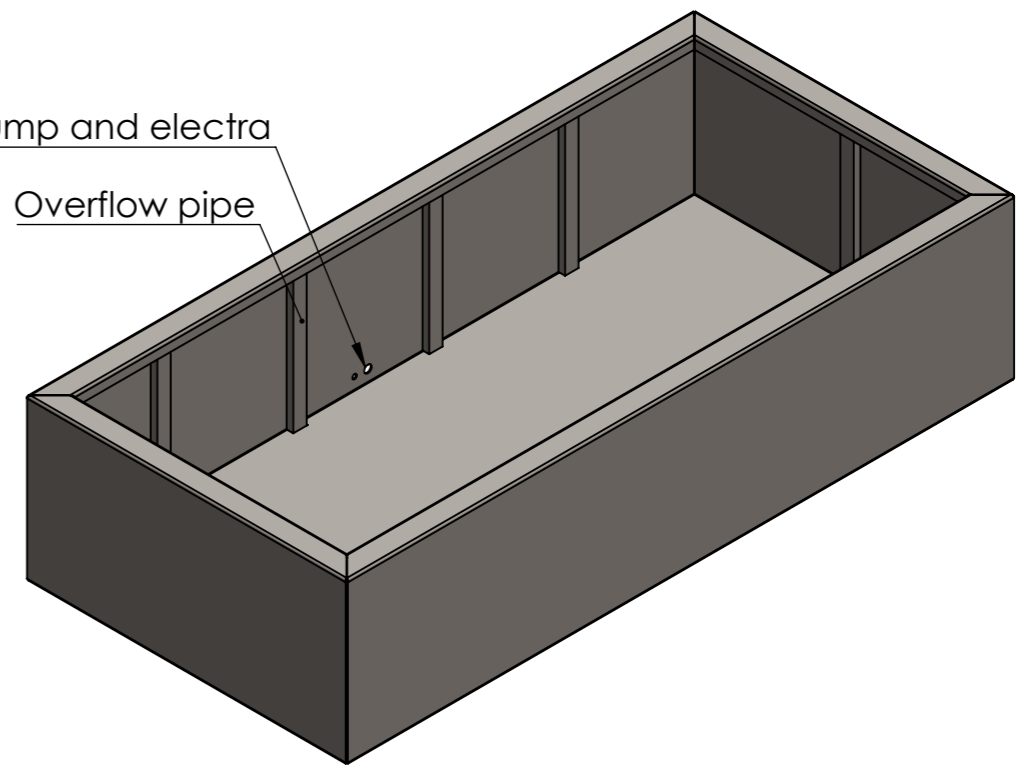


DETAIL B
SCALE 1 : 5

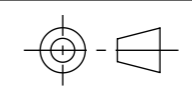


DETAIL C
SCALE 1 : 5

Pump and electra
Overflow pipe



DRAWN	Luuk van den Heuvel	DATE	15-11-2023
REVISION			



TITLE:	4mm Aluminium	
Drawing:	VA8_	A3

ADEZZ
DESIGN TO GROW

Liessentstraat 4, 5405 AG Uden (NL).
 † 0031 (0)413 - 27 41 68.
 e info@adezz.com, i www.adezz.com

Color:	-	Mass (kg):	103.94	SCALE:1:20	SHEET 1 OF 13
--------	---	------------	---------------	------------	---------------